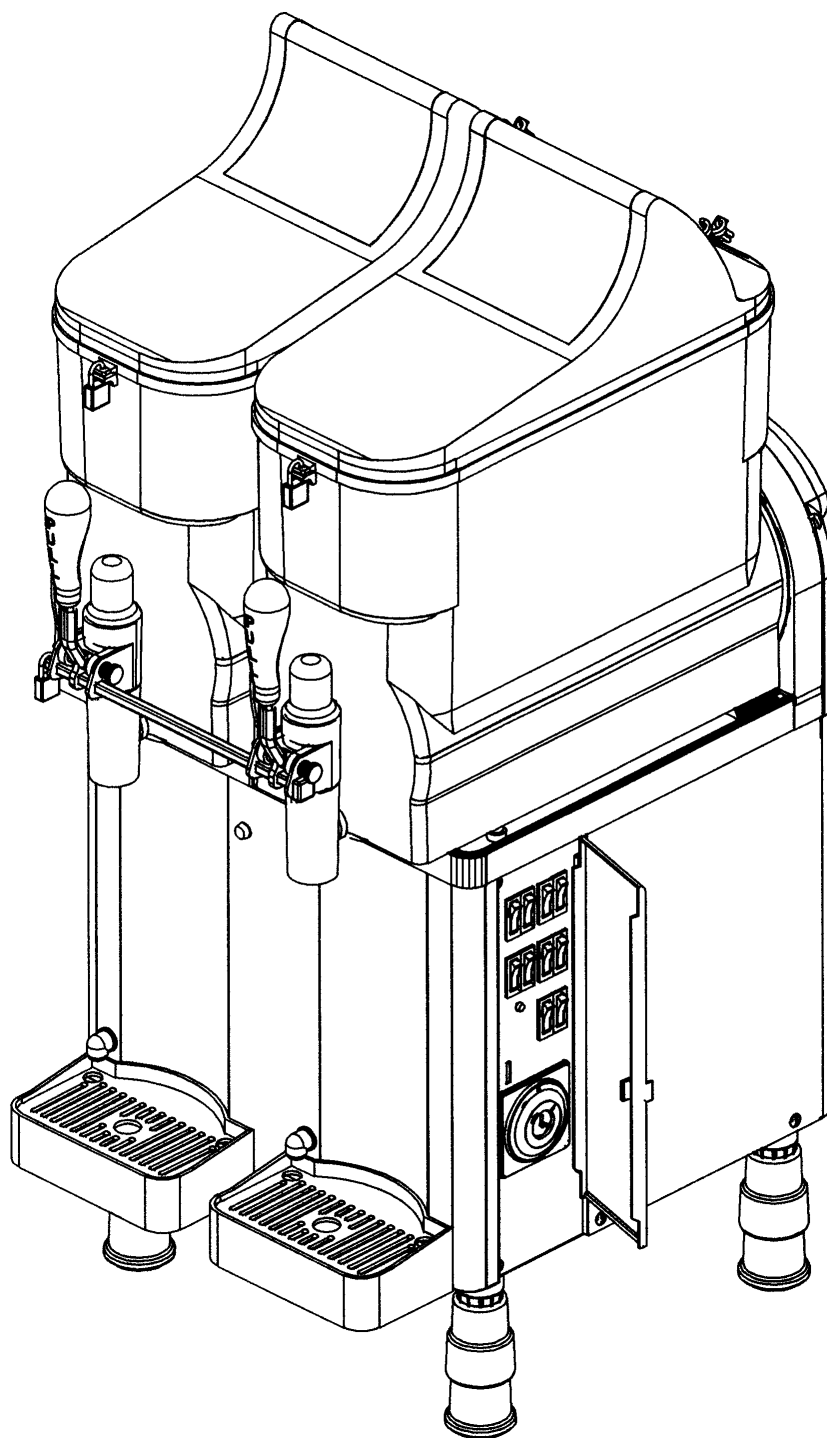





Operating Instructions







FAMILIARIZING YOURSELF WITH THE CONTROLS

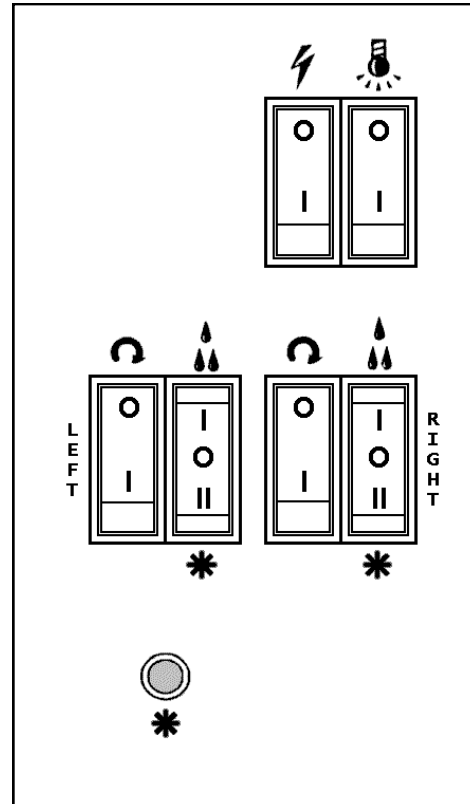
Main Power 
 "O" Position: Off position
 "I" Position: On position

Display Light 
 "O" Position: Off position
 "I" Position: On position
Note: Not operable

Spiral Switch 
 "O" Position: Spiral is off
 "I" Position: Spiral is on

Cooler Switch 
 "O" Position: Off position
 "I" Position: Cool drink mode 
 "II" Position: Frozen drink mode 

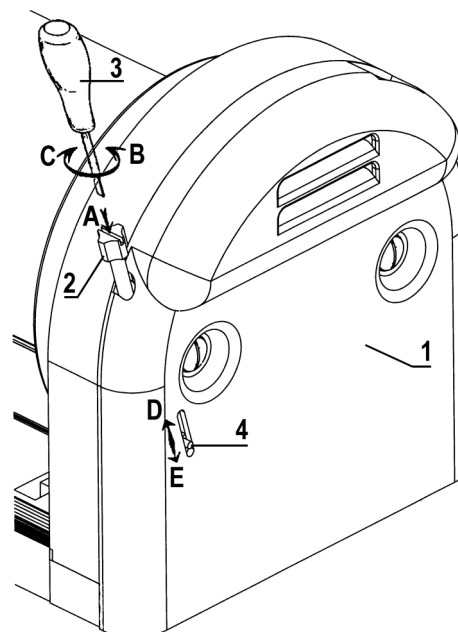
Compressor Light 
 If the compressor green light is on, the Compressor is working



Consistency Knob "A"
 At the rear right of the machine turning the knob changes the density of the slush. The lower the number shown in the slot "D-E" the softer the slush. **Do not turn knob lower than 4 as it will Come off the track.**

Turn knob counter-clockwise for softer slush, which will lower the number in the slot.

Turn knob clockwise to firm the slush which will increase the number in the slot.



HOW TO OPERATE

START OPERATION 2 HOURS BEFORE EVENT AND KEEP OUT OF SUN

1. Fill the mix tanks with the desired liquid product (2 1/2 gallons maximum). If using our mix (one 1/2 gallon mix 1/2 gallon alcohol and 1 1/2 gallons of water up to the fill line).
2. If using natural product as a base (coffee, lemon juice, orange juice, ect.), it is required that 5 to 7 oz. of sugar per gallon be added.
3. To operate, press main power switch ⚡ and both left and right spiral switches ↻ to on.
4. Press the cooler switch to bottom position for slush * or
Press the cooler switch to top position for liquid. 💧
5. To adjust the consistency of the slush there is an adjustment knob at the rear, right corner of the dispenser. Start the consistency knob at 2.5. To firm up the slush, turn the knob counter clockwise, which will move the indicator down to a higher number position. To soften / warm the slush, turn the knob clockwise, which will move the indicator up to a lower number position.

REMEMBER, the frozen drink machine takes about 2 hours to completely slushify and it will not freeze in the sun (must be in the shade).

